

PARTS LIST OF ROTARY PUMP CRP-200

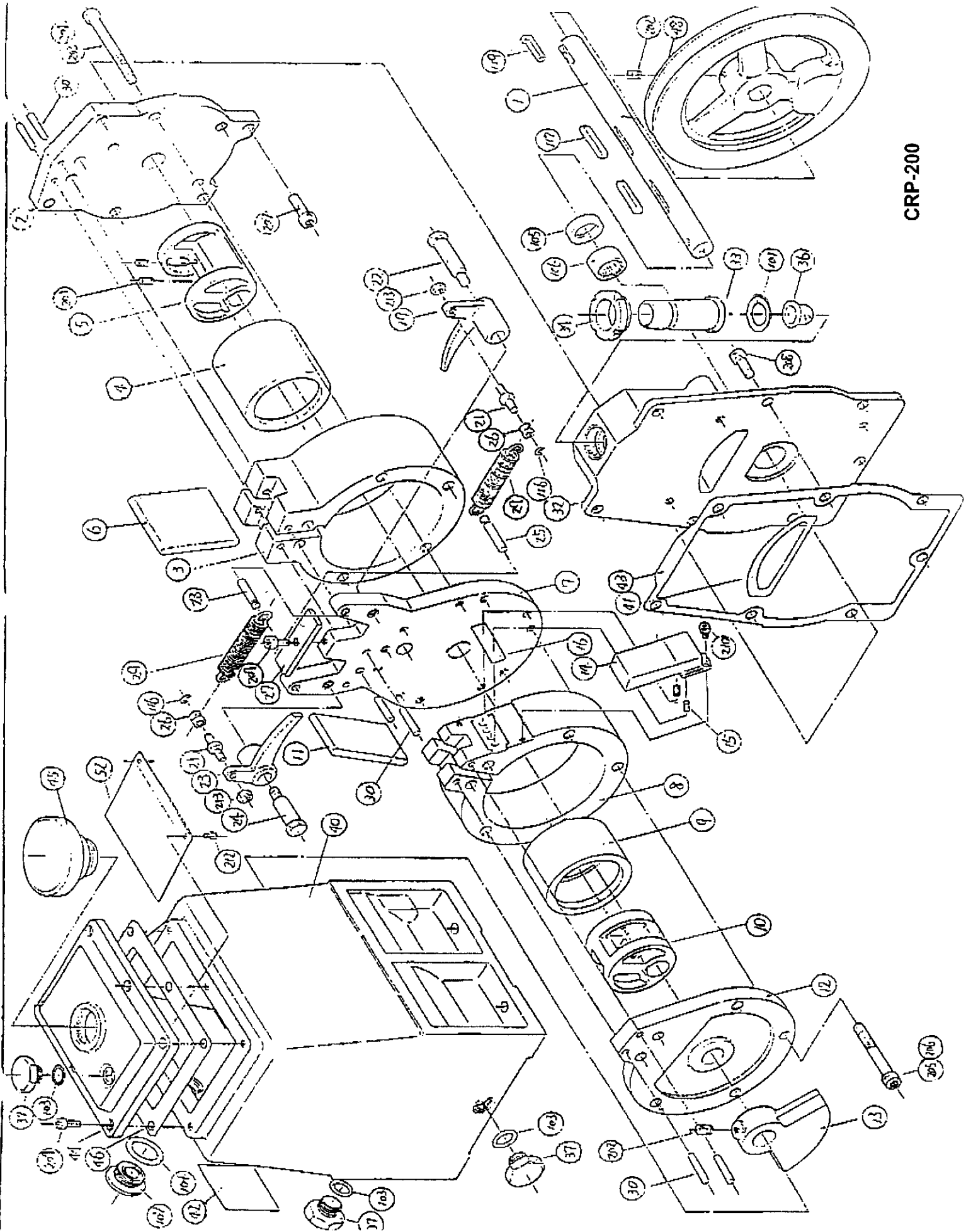
1/2

ITEM NO	DESCRIPTION	Q'TY	
1	SHAFT	1	
2	FRONT PLATE	1	
3	CYLINDER (1)	1	
4	RING (1)	1	
5	ROTOR (1)	1	
6	VANE (1)	1	
7	MIDDLE PLATE	1	
8	CYLINDER (2)	1	
9	RING (2)	1	
10	ROTOR (2)	1	
11	VANE (2)	1	
12	BACK PLATE	1	
13	BALANCER	1	
14	EXHAUST VALVE STOPPER	1	
15	PRESS COIL SPRING	2	
16	EXHAUST VALVE	1	
19	LEVER (1A)	1	
21	PIN	2	
22	LEVER BOLT (1)	1	
23	LEVER (2)	1	
24	LEVER BOLT (2)	1	
25	SPRING PIN (1)	1	
26	COLLAR	2	
27	VANE STOPPER	1	
28	SPRING PIN (2)	1	
29	EXPANDED COIL SPRING	2	
30	TAPER PIN (1)	4	
31	TAPER PIN (2)	2	
32	FRONT BOX	1	
33	INLET NOZZLE	1	
34	INLET NOZZLE STOPPER	1	
35	INLET NOZZLE PACKING	1	
36	INLET FILTER	1	

PARTS LIST OF ROTARY PUMP CRP-200

2/2

ITEM NO	DESCRIPTION	Q'TY	
40	BACK BOX	1	
41	PAPER PACKING	1	
42	NAME PLATE	1	
43. 53	BOX PACKING	1	
44	UPPER LID	1	
45	EXHAUST OUTLET	1	
46	UPPER LID PACKING	1	
47	GRAND STOPPER	1	
48	PUMP PULLEY	1	
52	OIL STOPPING PLATE	1	
103	O-RING	1	
104	O-RING	1	
105	OIL SEAL	1	
106	NEEDLE BEARING	1	
107	OIL GAUGE	1	
108	OIL MIST TRAP	1	
113	OIL CAP	3	
116	E-TYPE STOP RING	2	
117	PARALLEL KEY	2	
119	CURVE KEY	1	
201	HEXAGONAL SCREW	2	
202	HEXAGONAL SCREW	2	
203	HEXAGONAL BOLT	5	
204	HEXAGONAL BOLT	1	
205	HEXAGONAL BOLT	5	
206	HEXAGONAL BOLT	1	
207	HEXAGONAL BOLT	4	
208	HEXAGONAL BOLT	7	
209	HEXAGONAL BOLT	7	
210	HEXAGONAL BOLT	2	
212	PLUS SCREW	2	
213	HEXAGONAL NUT	2	



CRP-200